

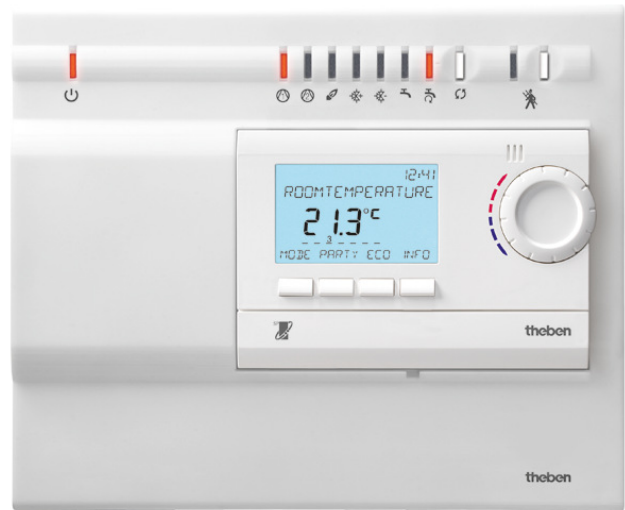
RAMSES 816 top2 OT

Item no.: 8169132

Climate control
Clock thermostats

Description

- Digital mixer control
- 3 different weekly programs
- 3 comfort and 2 reduced temperatures can be allocated to each zone
- INFO button for the most important data
- Party/ECO program
- Chimney sweeping function with push button OT box
- Minimum boiler temperature can be set
- 2-stage burner control option
- Holiday program with reduced temperature or date-controlled heating phase can be programmed e. g. for holiday homes
- USB interface for modem
- Automatic summer/winter time adjustment
- Control of feed temperature via motorcontrolled mixer
- 3-point controller with feed sensor
- Pump protection function
- Inputs: feed sensor heating circuit (contained in set), external sensor
- Elapsed-time counter for recording relay switching times e.g. burner operating time
- Adjustable reminder function for heater maintenance



Technical data

RAMSES 816 top2 OT	
Operating voltage	230 V AC
Frequency	50 Hz
Type of contact	NO contact
Installation type	Wall installation
Switching capacity	2 x 2 (1) A Relay, 1 x 1 (1) A Relay
Setting range temperature	6°C ... 30°C
Setting range frost protection	6°C ... 15°C
Flow temperature limit	40°C ... 90°C
Type of connection	2-way conductor (BUS) room controller
Program	Weekly program, Daily program

RAMSES 816 top2 OT	
Number of memory locations	42, max. 24 pro Programm
Switching hysteresis	±2 – ±20 K
Mixer runtime	2 – 10 min
Suitable for SELV	No
Mode of operation	Type 1 B as per EN 60730-1
Power reserve	4 hours
Stand-by consumption	~1.1 W
Type of protection	IP 20
Protection class	II according to EN 60730-1

Subject to technical changes and misprints

additional information at: www.theben.de/product/8169132

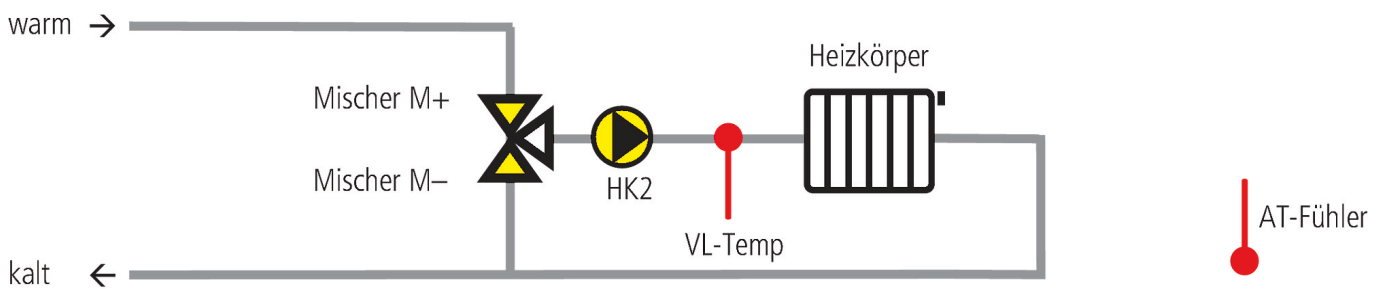
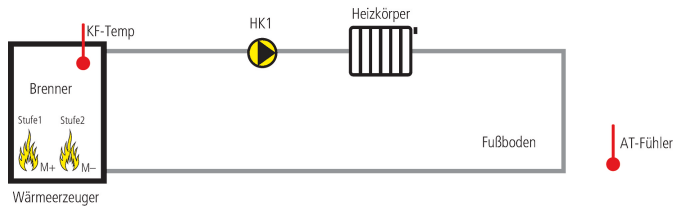
The load data are determined with exemplary selected illuminants and are therefore typical data due to the large number of available products.

RAMSES 816 top2 OT

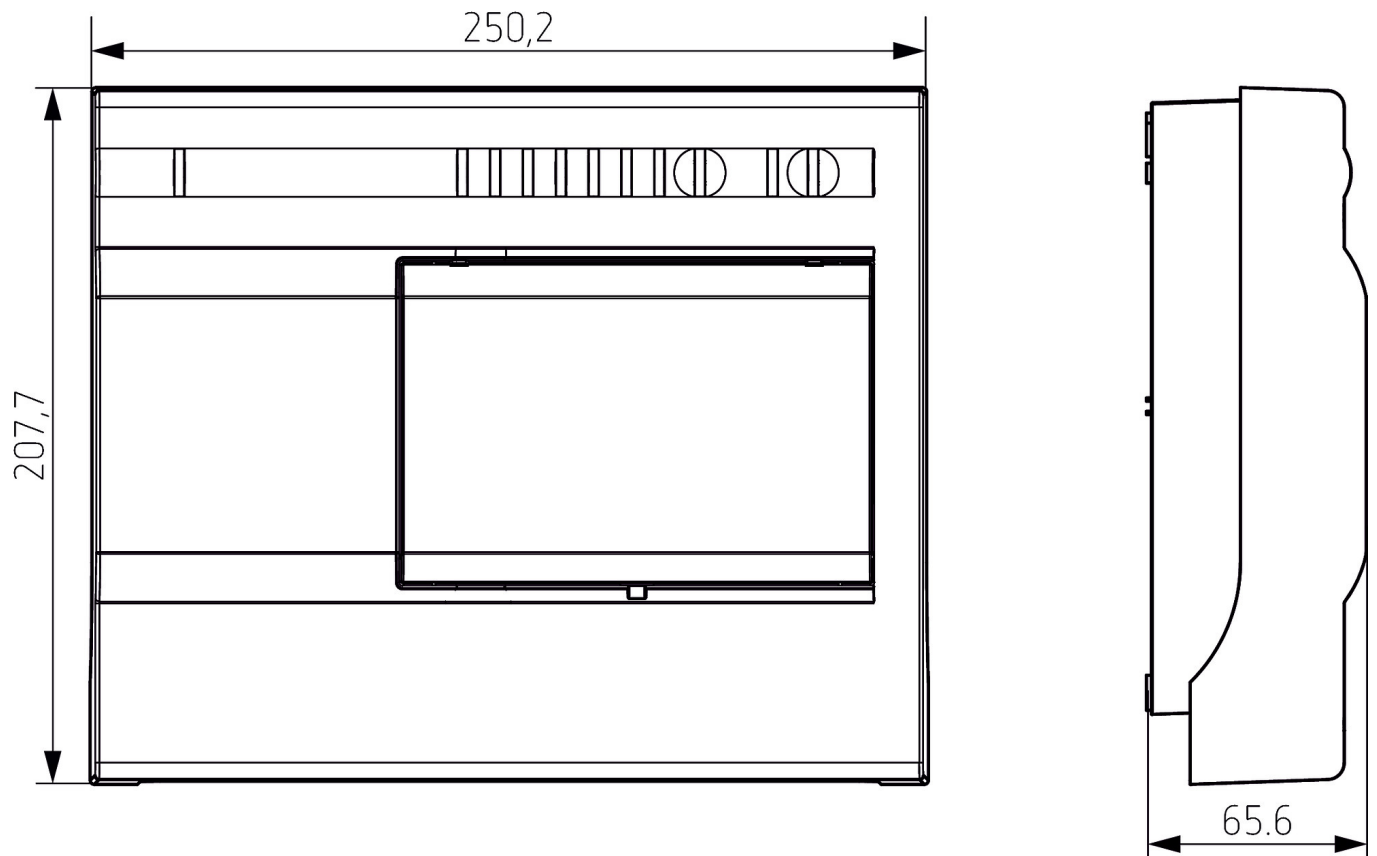
Item no.: 8169132



Connection example



Scale drawings



Subject to technical changes and misprints

additional information at: www.theben.de/product/8169132

The load data are determined with exemplary selected illuminants and are therefore typical data due to the large number of available products.

06/08/2022

Page 2 of 3

RAMSES 816 top2 OT

Item no.: 8169132



Accessories

External temperature sensor

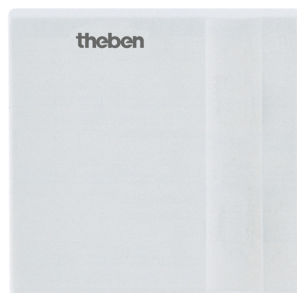
Item no.: 9070463



Temperature sensor RAMSES IP

65

Item no.: 9070459



Plunge sensor RAMSES

Item no.: 9070379

